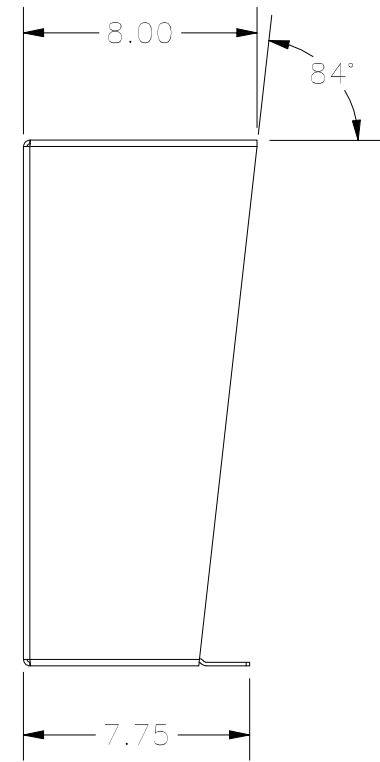
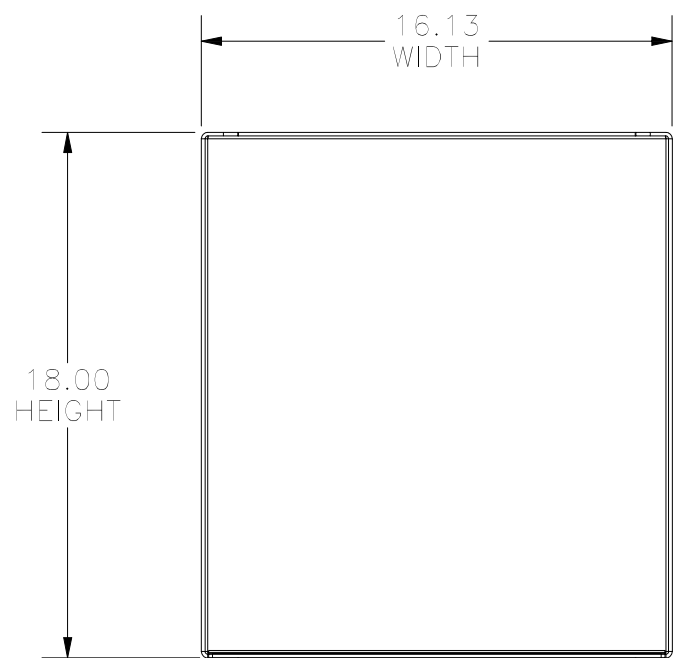


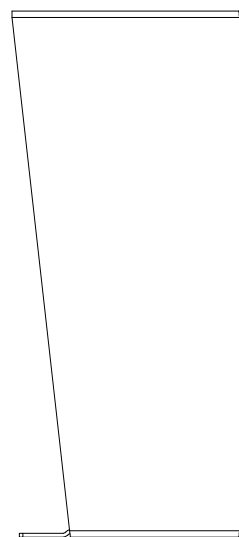
**TOP VIEW**



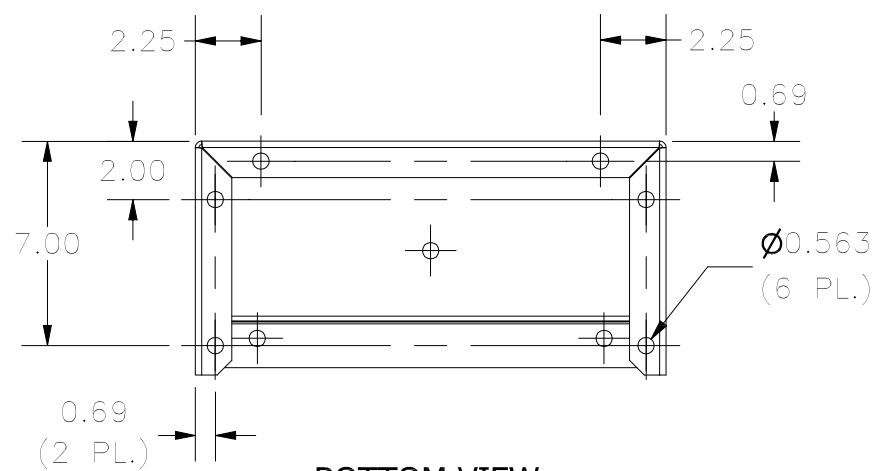
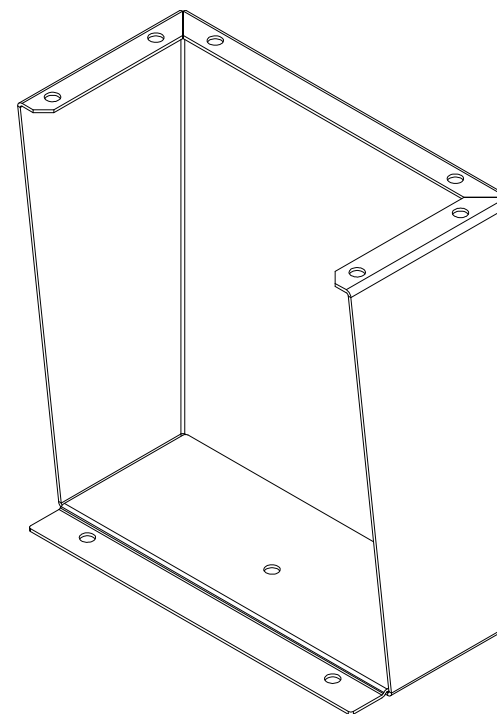
**LEFT VIEW**



**FRONT VIEW**



**RIGHT VIEW**



**BOTTOM VIEW**

PART#: FK1816  
 (DATA SUBJECT TO CHANGE WITHOUT NOTICE)

THIS DRAWING IS PROPERTY OF HUBBELL INC. WIEGMANN  
 ALL INFORMATION IS PROPRIETARY AND NOT TO BE DUPLICATED